

- Low-loss RF SAW filter for mobile systems
- Low amplitude ripple
- No matching network required for operation at 50Ω
- Ceramic package for Surface Mounted Technology (SMT)
- Lead-free production and RoHS compliant

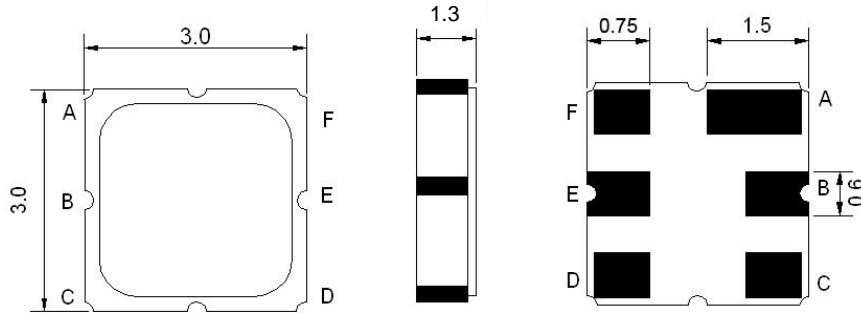


Electrical Characteristics

MAXIMUM RATING				
PARAMETERS DESCRIPTION	UNIT	MINIMUM	TYPICAL	MAXIMUM
Operating Temperature Range	°C	-40	-	+85
Storage Temperature Range	°C	-40	-	+85
Maximum DC Voltage	V _{DC}			12
Maximum Input Power Level	dBm			0
Source Impedance	Ω	-	50	-
Load Impedance	Ω	-	50	-
Length x Width	mm ²	-	3.0 x 3.0	-
Height	mm	-	-	1.3

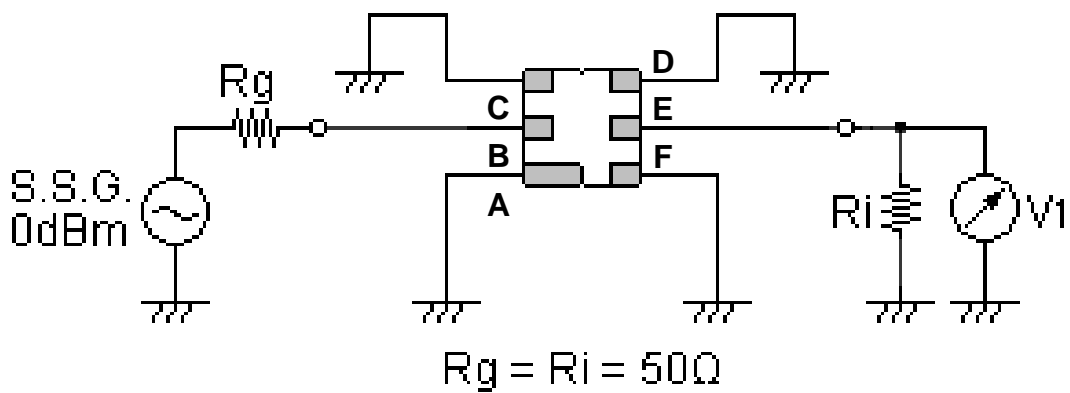
ELECTRICAL SPECIFICATION				
PARAMETERS DESCRIPTION	UNIT	MINIMUM	TYPICAL	MAXIMUM
Center Frequency (Fo)	MHz	-	725.5	-
Insertion Loss @ 703.00 ~ 748.00MHz	dB		3.5	4.0
Amplitude Variation @ 703.00 ~ 748.00MHz	dB		1.5	2.0
Group Delay Variation @ 703.00 ~ 748.00MHz	nS		20	50
Absolute Attenuation:				
0.30 ~ 426.00 MHz	dB	40	50	
426.00 ~ 472.00 MHz	dB	38	45	
610.00 ~ 669.00 MHz	dB	25	35	
758.00 ~ 803.00 MHz	dB	15	18	
815.00 ~ 2400.00 MHz	dB	30		
2400.00 ~ 3000.00 MHz	dB	10	20	
Input / Output Return Loss @ 703.00 ~ 748.00MHz	dB	10	14	

Package Dimensions



Pin Description	
B	Input
E	Output
A, C, D, F	Ground

Testing Environment



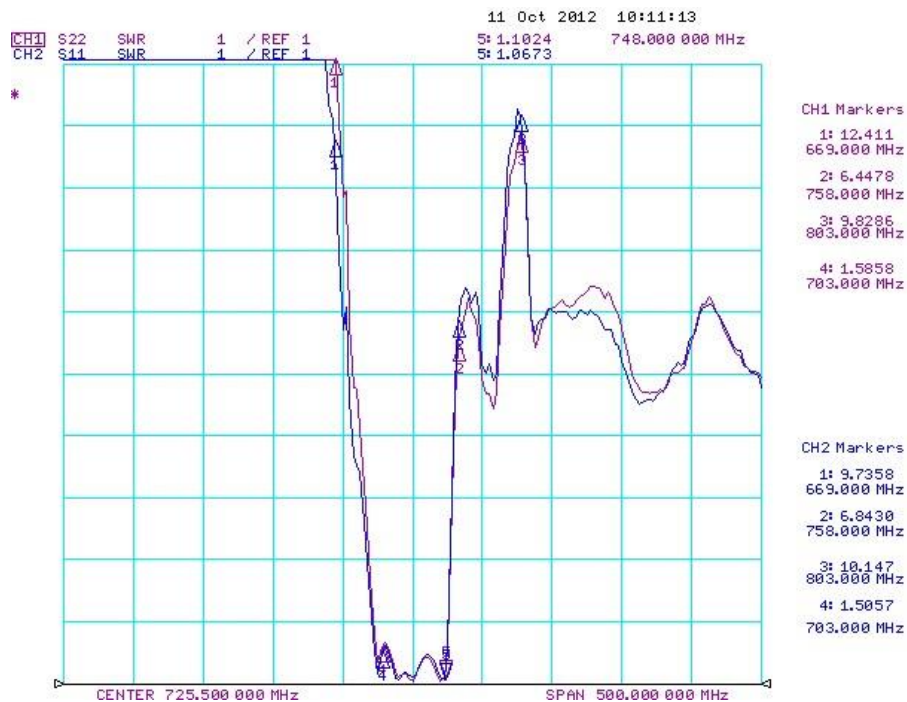
Frequency Characteristics

Frequency Response

S21



S11 S22



Frequency Response

Group delay

